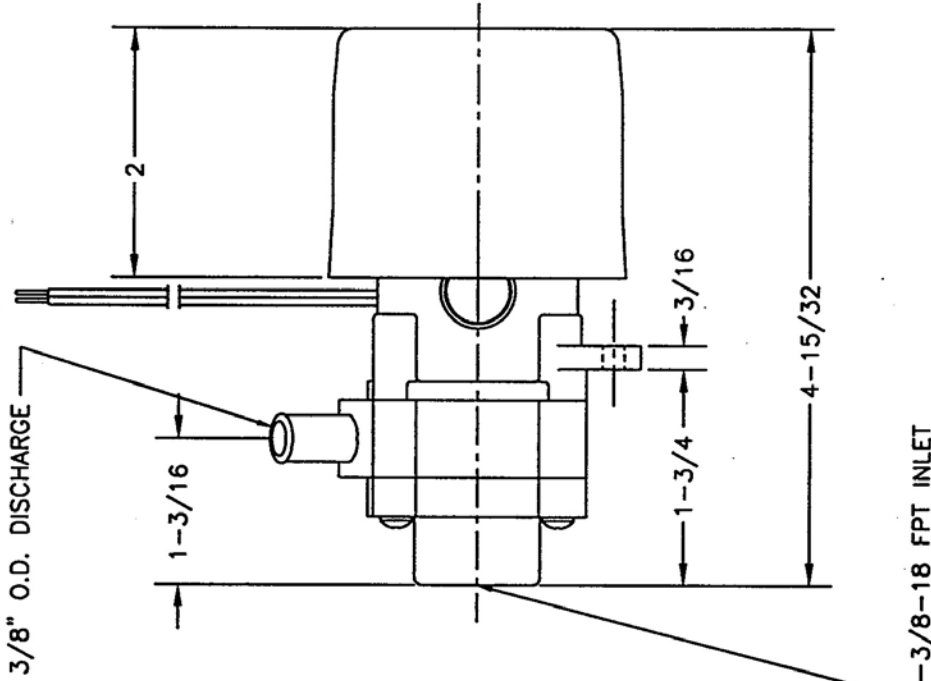
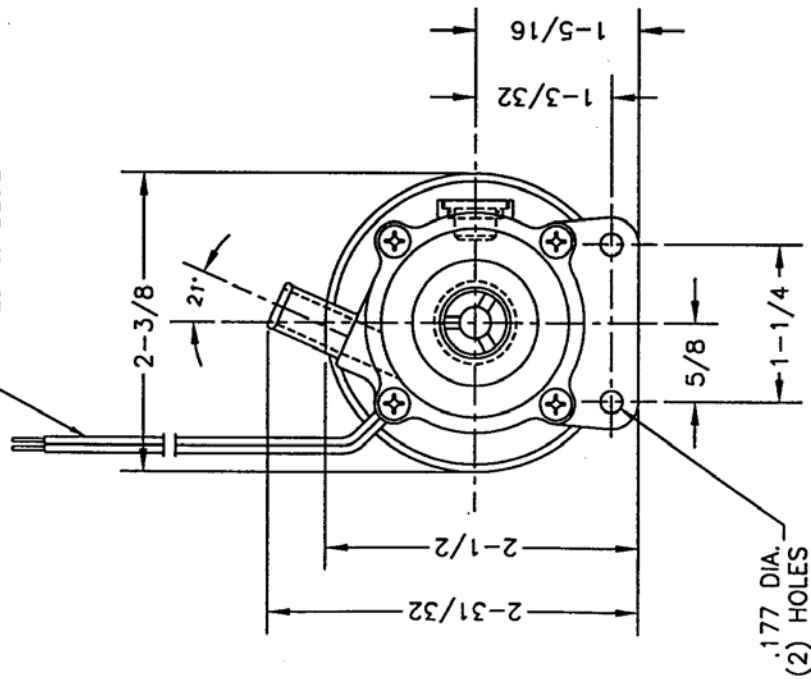


16" LEADS (2)
RED & BLUE



893DIMDR.DWG

MARCH MFG. INC. 1819 PICKWICK AVE. GLENVIEW, IL.		SCALE	FULL	DATE	12/21/99
PART PUMP ASSY. 893		DRAWN BY	KRL	DESIGNED BY	
NAME BRUSHLESS SUBMERSIBLE		MATERIAL			
MATERIAL		TOLERANCES UNLESS OTHERWISE SPECIFIED			
FINISHES & 1/4"		DECIMALS & 1/16"			
DIMENSIONS & TOLERANCES IN MILLIMETERS					
PART NUMBER	893 SERIES				

MODEL	ASSEMBLY NO.	MOTOR
893-09 (12 VDC)	0893-0030-0200	0893-0026-1000
893-10 (24 VDC)	0893-0031-0200	0893-0027-1000